

CRYOGENIC GLOBAL PLAYER

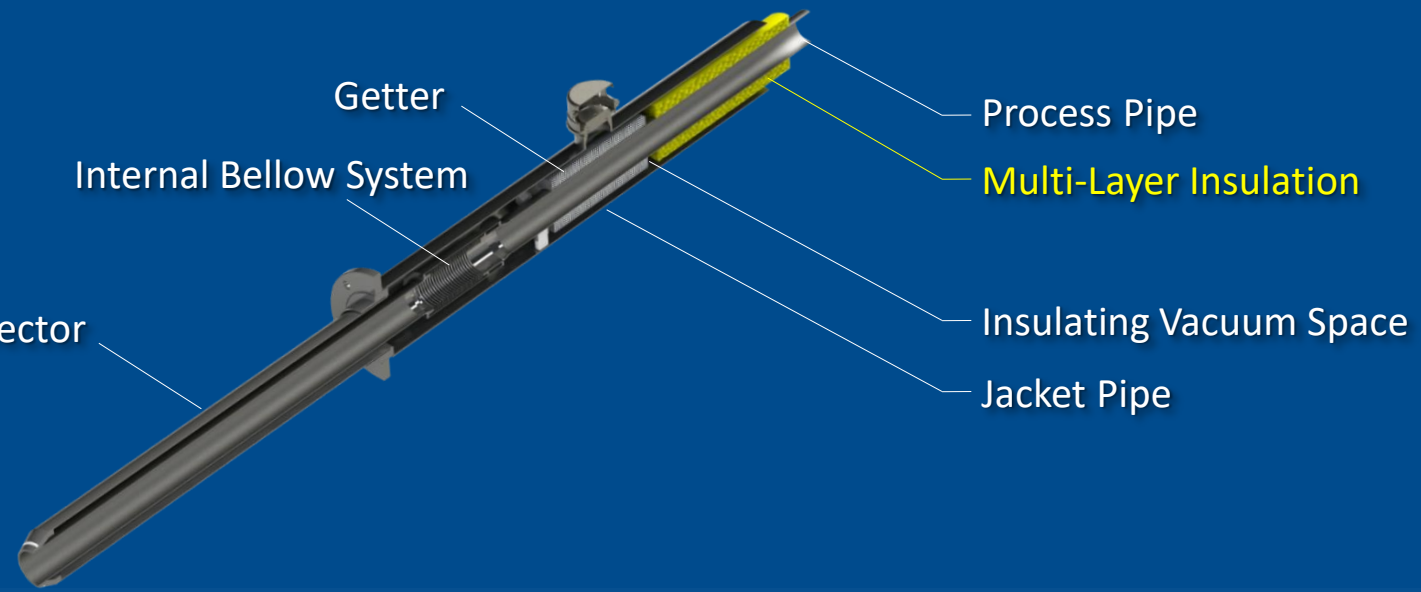
TRANSFER SYSTEMS



SPECIAL EQUIPMENT

schwanner
CRYOGENIC VACUUMTECHNOLOGY

CUSTOMIZED SOLUTIONS



LH₂ • LN₂ • LO₂ • LHe • LAr

Compared to conventional insulation methods, vacuum-superinsulation technology proves to be far superior in terms of retaining heat. In combination with our specially developed plug-in coupling system, our technology maximizes cost efficiency and flexibility.



Plug-in or welded connection



rigid or flexible



DN10 – DN300



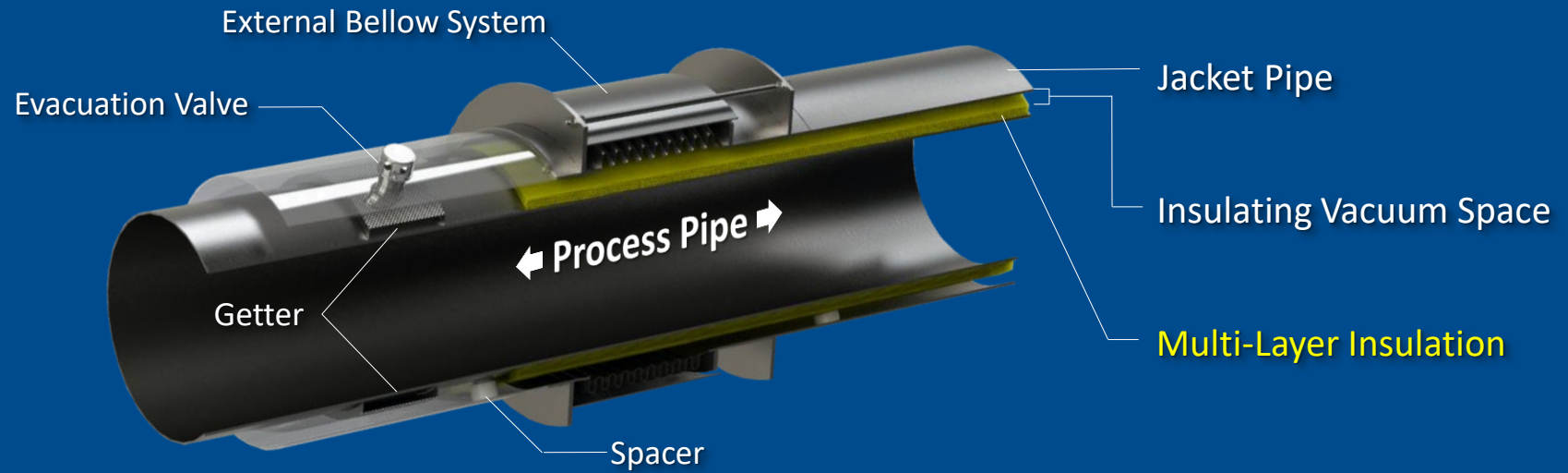
10⁻⁵ mbar



extensive testing



100% stainless



Liquid Natural Gas

Unlike the other cryogenic liquids, LNG is a mass product that requires transfer systems of much larger dimensions to be economically efficient.

We have successfully adapted our vacuum-superinsulation technology for large diameter pipelines (up to 40").



up to DN900



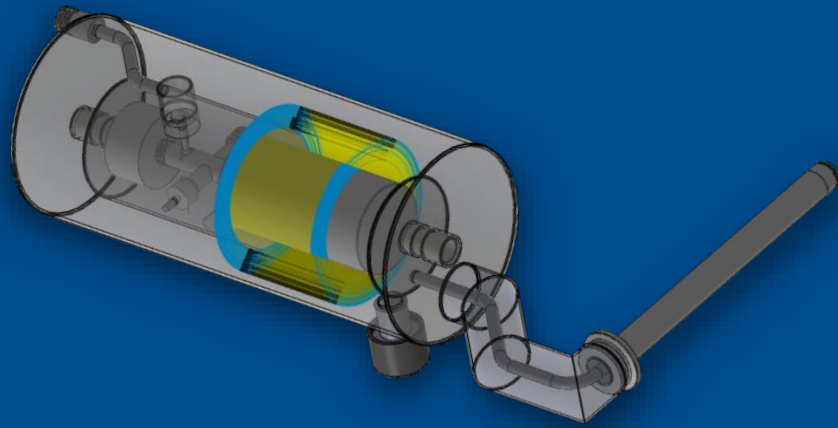
10⁻⁵ mbar



extensive testing



100% stainless



Pure liquid product at the application



Stable and predefined pressure at all times



Vacuum Insulated

PHASE SEPARATORS & DEGASSERS

SPECIAL EQUIPMENT



Both Phase Separators and Degassers automatically remove any excess gas phase out of the cryogenic system. Additionally, Phase Separators achieve a stable and predefined pressure at the application's outlet, intercepting pressure- and flow fluctuation from the supply.



TRADITION · PRECISION · INNOVATION

www.schwanner.com

